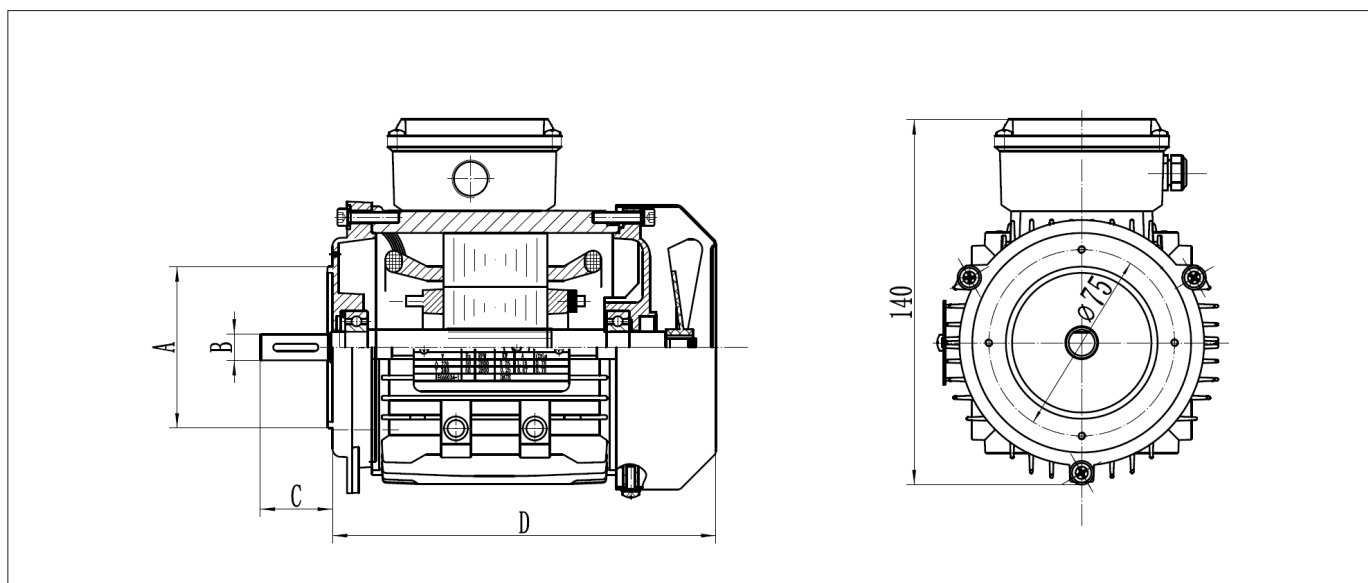


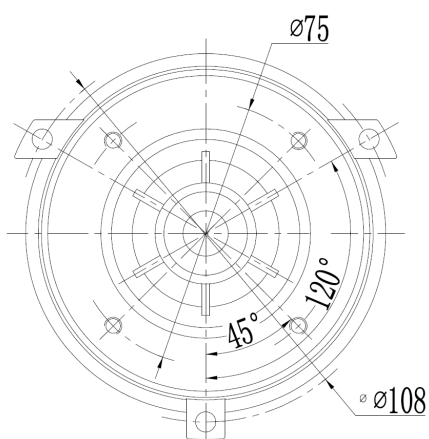
D96 SERIES

Dimensions



Part no.	Power (W)	Voltage (V)	Freq. (Hz)	Current (A)	Capacitor (μ F)	A	B	C	D
3.00.01.150	250	230	50	1.74	10	60	11	23	200
3.00.01.105	250	230	50	1.74	10	60	12	70	200

Front Caps



2.04.01.009